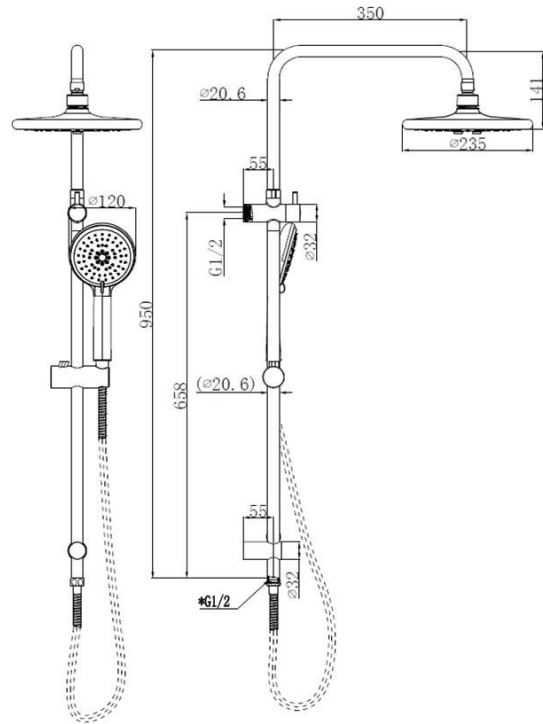


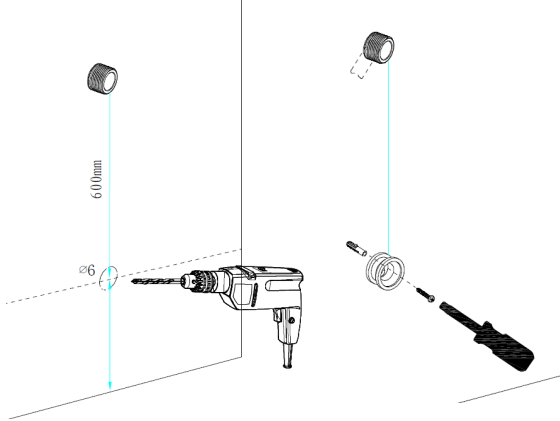
Self-Cleaning Twin shower system

Revolution
SHOWERS

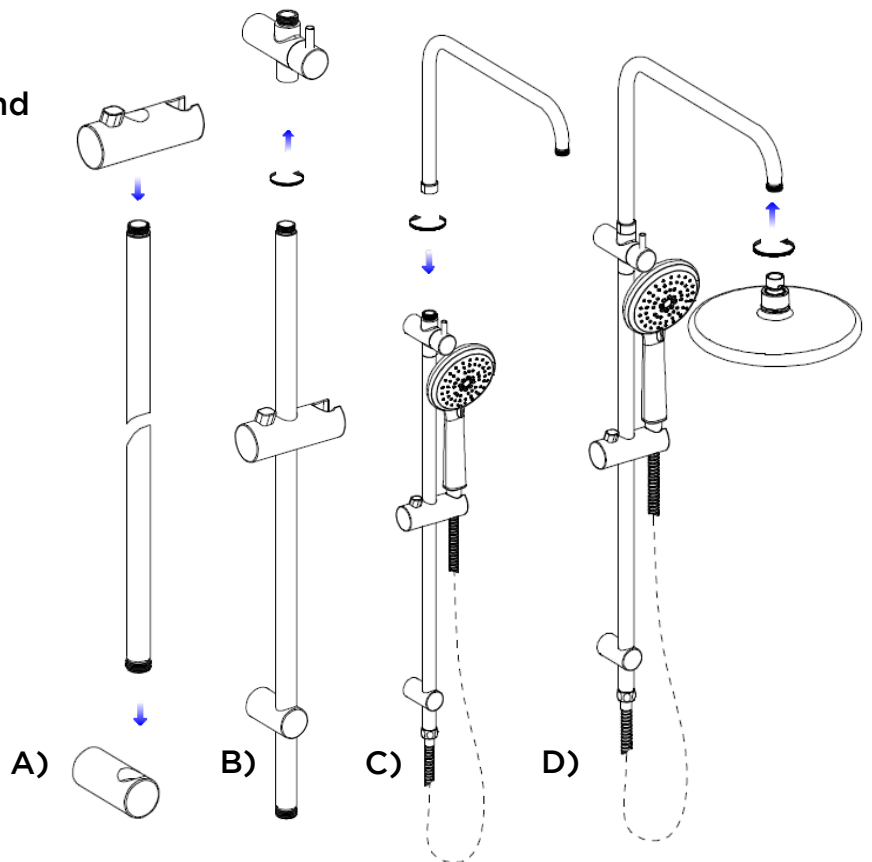
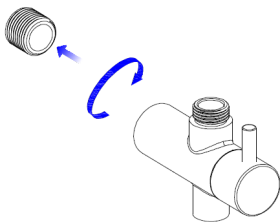


Installation Guide: SCS6.25

screw in wall bracket
1. Drill 600mm below wall thread and



2. Apply thread tape and screw on diverter valve



3.
 - A) Assemble slider onto rail and guide rail through bottom wall post
 - B) Screw the top of rail into diverter valve
 - C) Screw on the overhead arm
 - D) Screw on the shower head