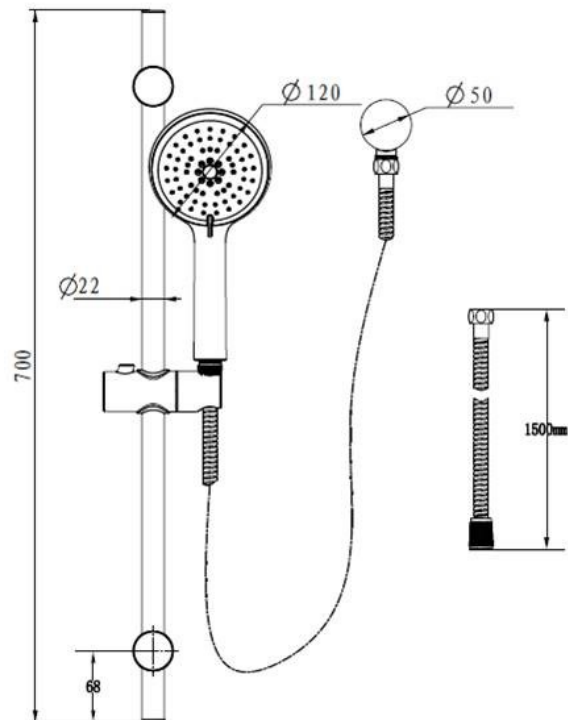


# Self-Cleaning Hand shower on easy-fit rail

*Revolution*  
SHOWERS

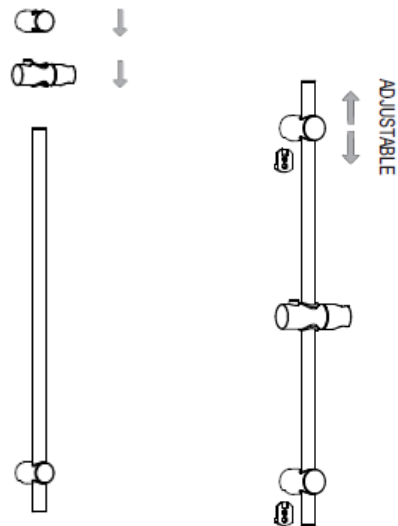


## Installation Guide: SCS3

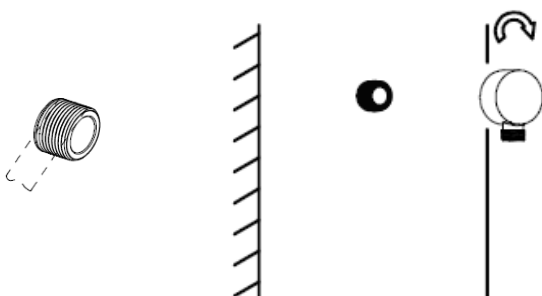
1. Mark and drill holes for wall plugs at desired centres up to 600mm max. Attach base supports to wall.



2. Fit slider bracket and fixing posts to rail and attach to base supports on wall.



3. Apply Teflon tape and screw on water supply elbow finishing with thread facing downward.



4. Attach hose to water supply elbow and hand shower. Fit the hand shower into slider bracket.

